

✓ The following boxes

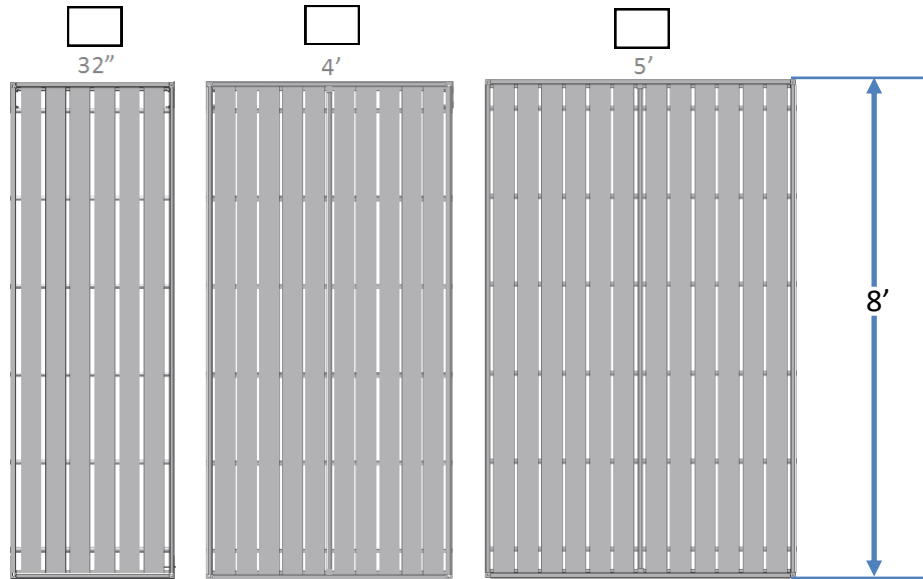
Dock Guide



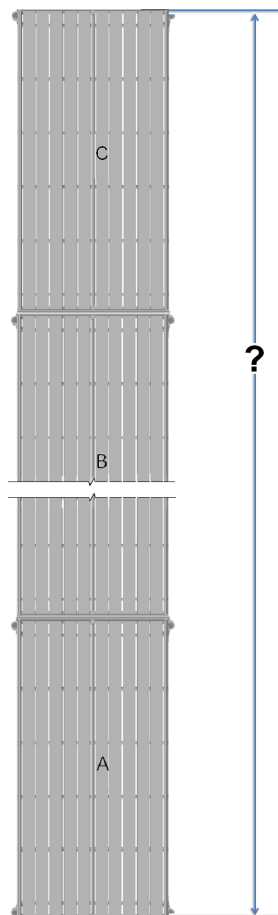
Alumidock®

Step 1: Choose Your Dock Size

We offer 32", 4', and 5' wide section. Consider the amount of traffic you will have on your new dock



Step 2: Determine Total Feet of Dock Going Out



Total Feet of Dock

8' Sections

16'

24'

32'

40'

48'

56'

64'

72'

80'

88'

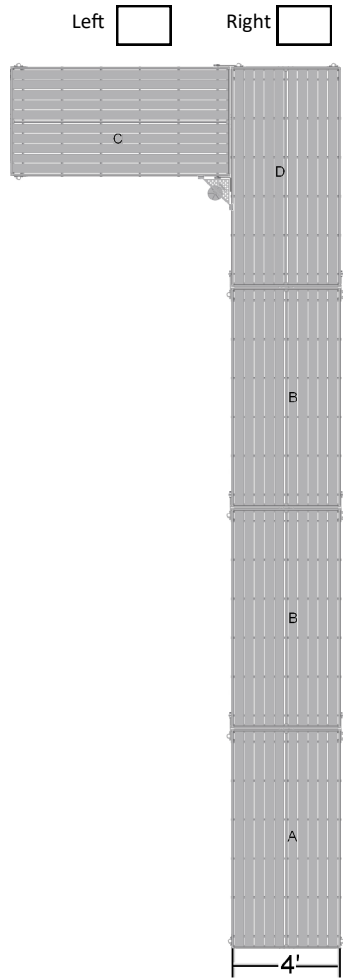
Other

Step 3: Choose Your Dock Configuration

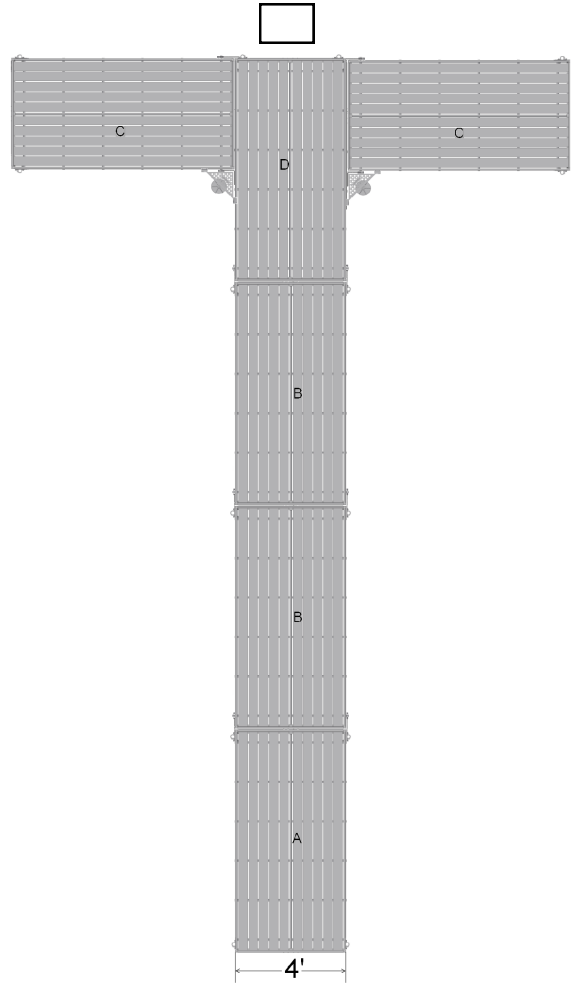
Straight Dock



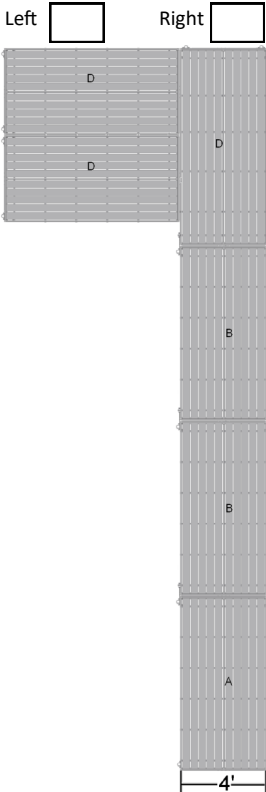
"L" Dock



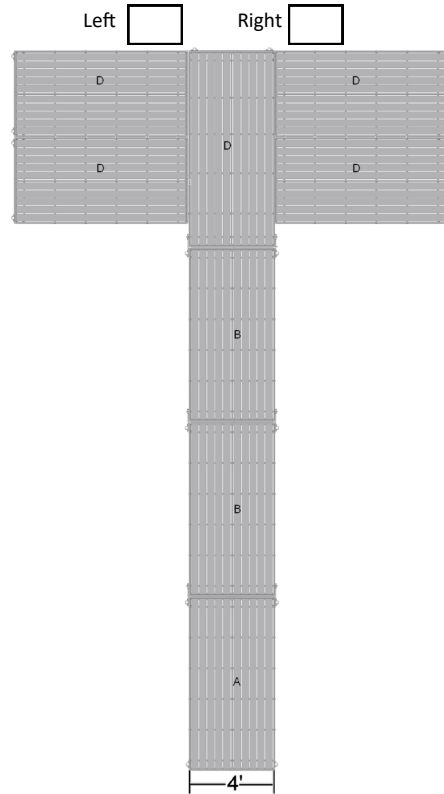
"T" Dock



"L" Platform Dock



"T" Dock Platform Dock

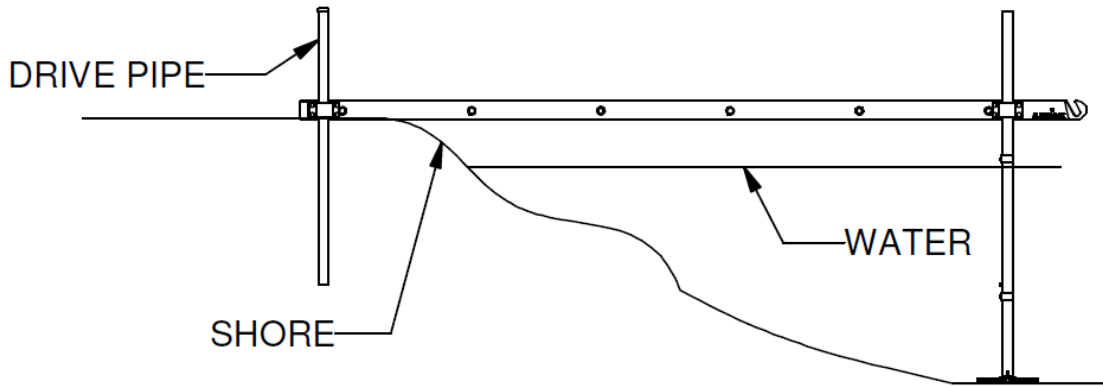


Step 4: Dock Attachment Shore Line

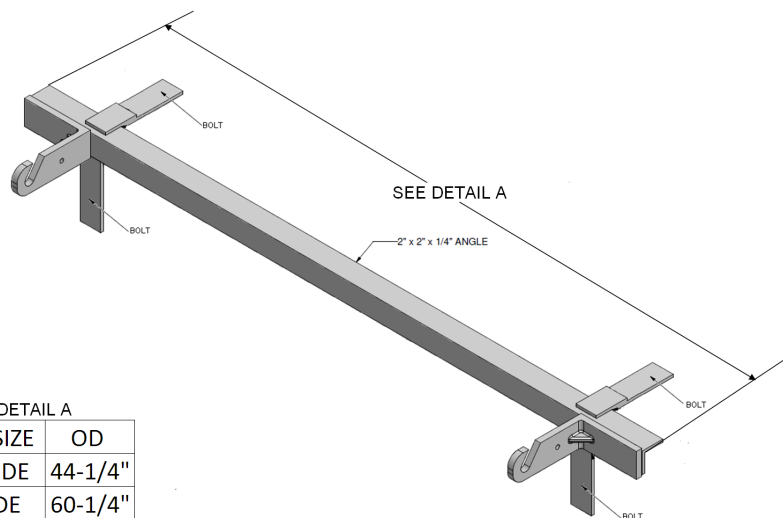
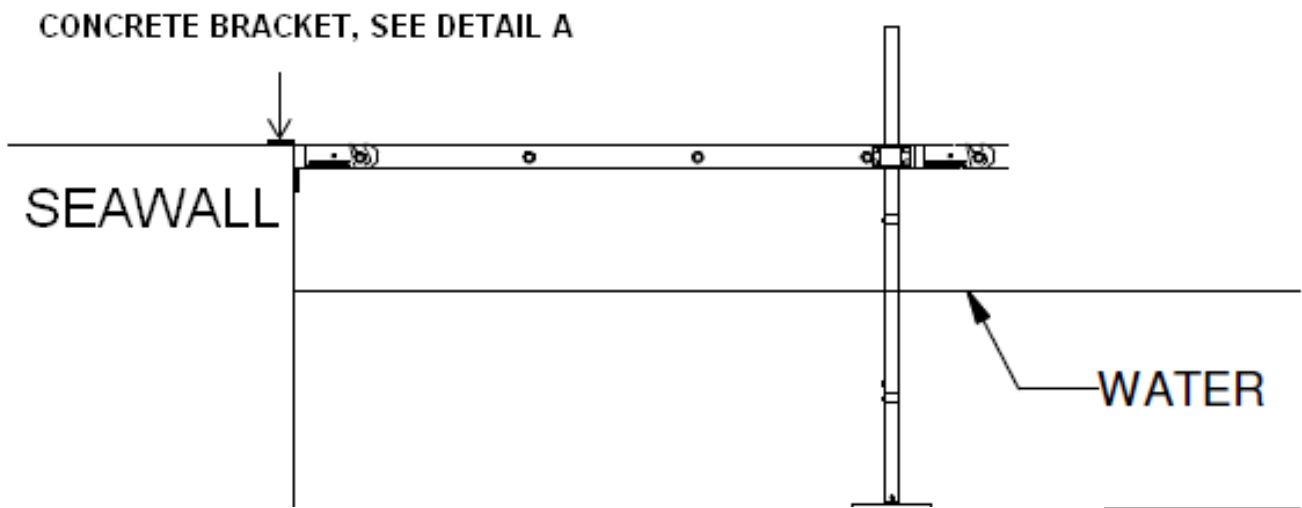
The first dock section must be anchored.

Shore Line Attachment

If you have a gravel shore then you will need a starter section with drive pipe



Seawall Attachment

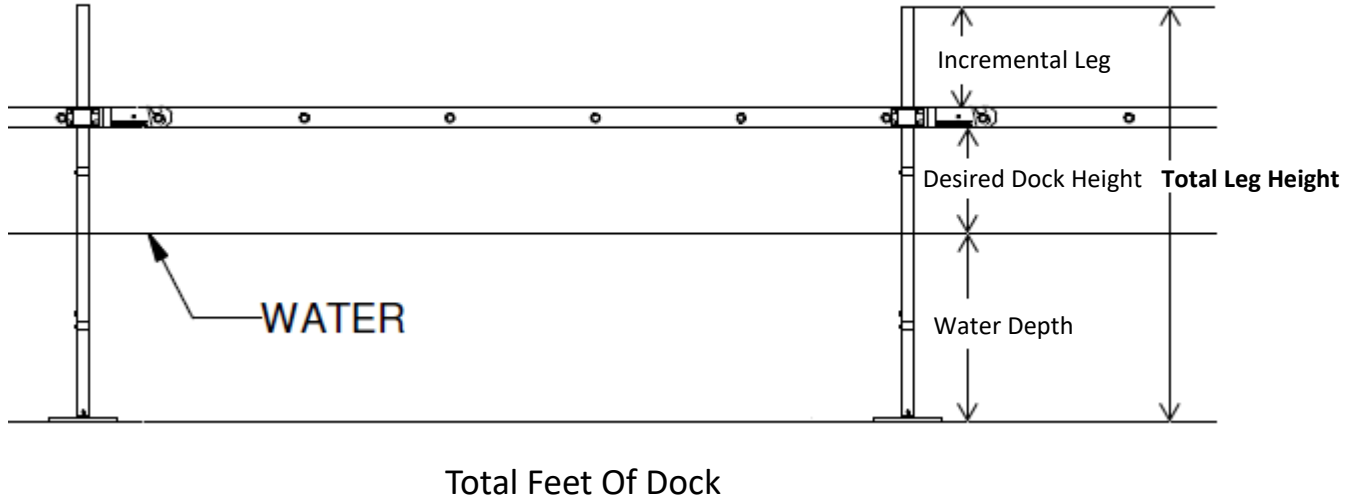


DETAIL A

DOCK SIZE	OD
32" WIDE	44-1/4"
4' WIDE	60-1/4"
5' WIDE	72-1/4"

Step 5: Choose Your Leg Sizes

Choose your leg sizes for every dock section based your water depth– Leg sizes range 3' - 10'



Feet Of Dock	Total Leg Height
16'	
24'	
32'	
40'	
48'	
56'	
64'	
72'	
80'	
88'	
96'	