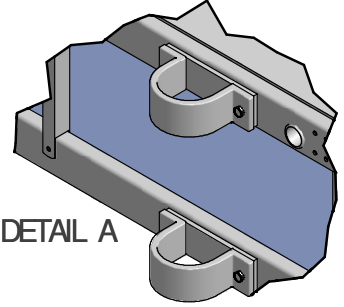
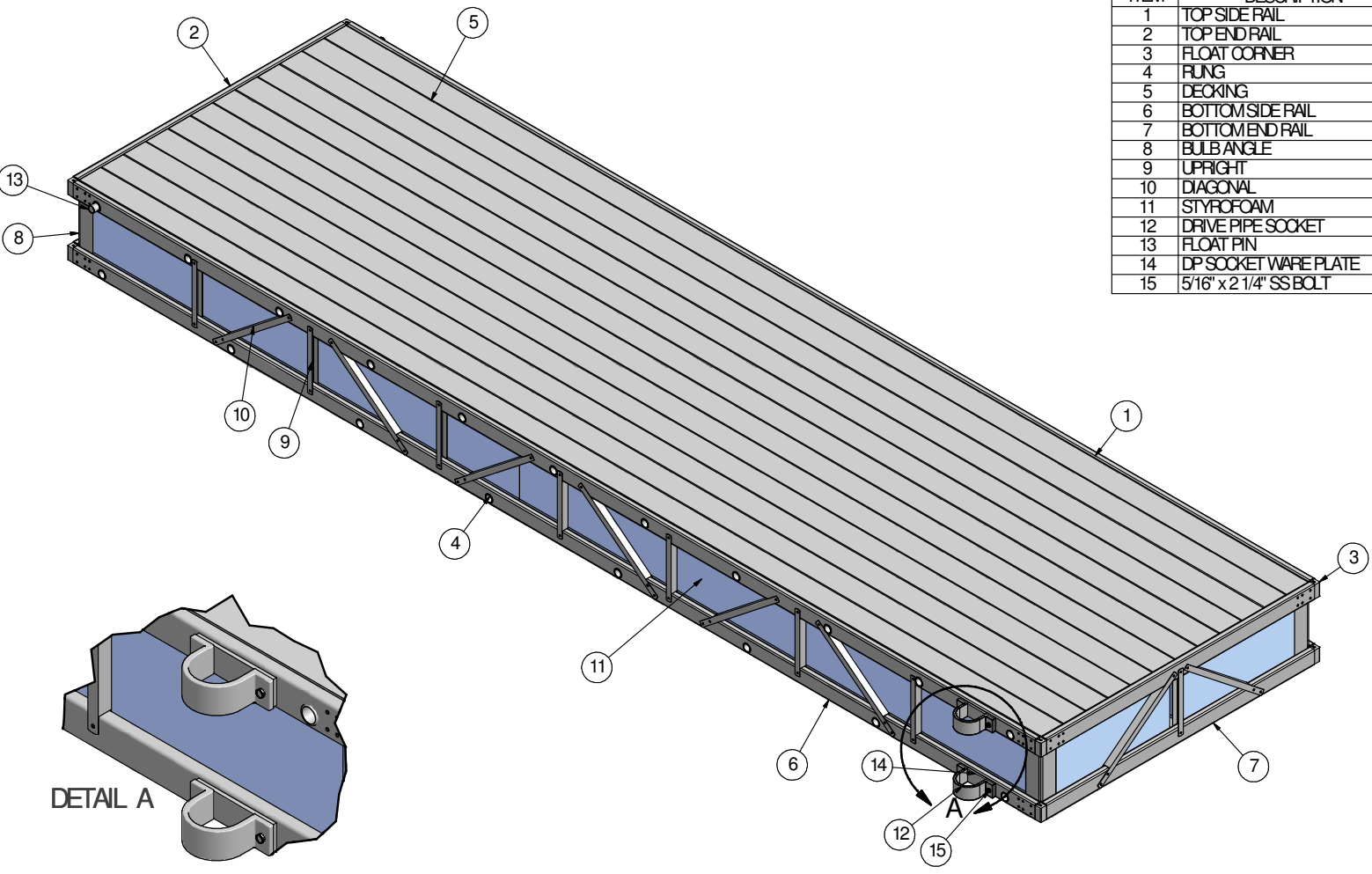


| Parts List | |
|------------|------------------------|
| ITEM | DESCRIPTION |
| 1 | TOP SIDE RAIL |
| 2 | TOP END RAIL |
| 3 | FLOAT CORNER |
| 4 | FUNG |
| 5 | DECKING |
| 6 | BOTTOM SIDE RAIL |
| 7 | BOTTOM END RAIL |
| 8 | BULB ANGLE |
| 9 | UPRIGHT |
| 10 | DIAGONAL |
| 11 | STYROFOAM |
| 12 | DRIVE PIPE SOCKET |
| 13 | FLOAT PIN |
| 14 | DP SOCKET WARE PLATE |
| 15 | 5/16" x 2 1/4" SS BOLT |



DETAIL A