

4

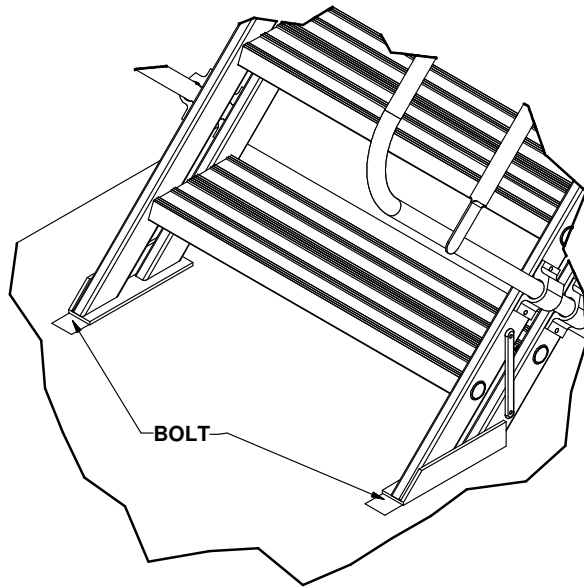
3



2

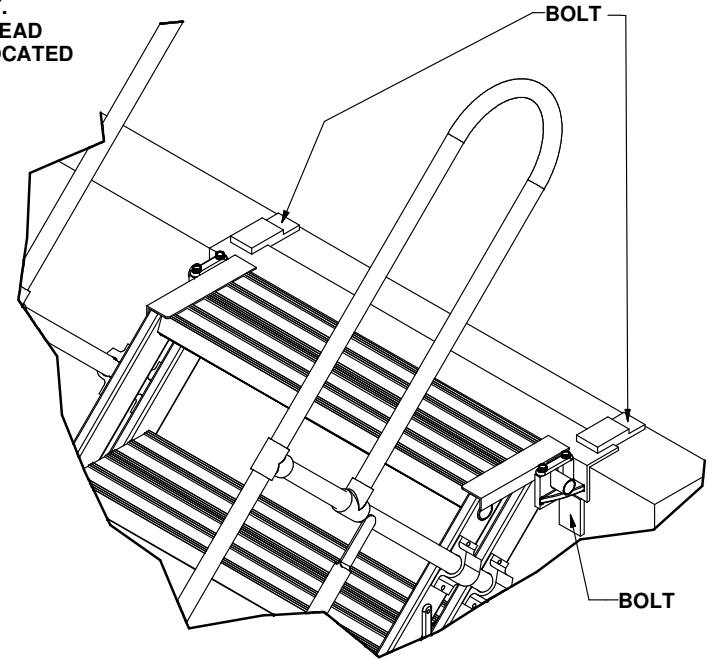
1

TOP OFF STAIRWAY IS CONNECTED TO THE BRACKET.  
THE BRACKET SHOULD BE FASTENED TO THE BULKHEAD  
USING A MINIMUM OF 4 BOLTS. BOLTS SHOULD BE LOCATED  
ON TABS SO THEY DO NOT CAUSE A TRIP HAZARD.



BOTTOM OF STAIRWAY COULD  
BE BOLTED AT THESE LOCATIONS

**BOTTOM**



4

3



2

1

### METALLIC LADDER MFG. CORP.

ITEM NAME: MOUNTING INSTRUCTIONS			CUSTOMER: Metallic Ladder Mfg. Corp.	
SIZE <b>B</b>	REV	DWG BY Tom	APPROVED	ITEM NUMBER <b>SWMIN</b>
MATERIAL:				DATE 11/1/2006
			SHEET 2 OF 2	

B

B

A

A