

**FRAME WIDTH**

**32" Wide  $\bar{O}D = 31\ 1/4"$**

**36" Wide  $OD = 36"$**

**42" Wide  $OD = 42"$**

**48" Wide  $OD = 48"$**

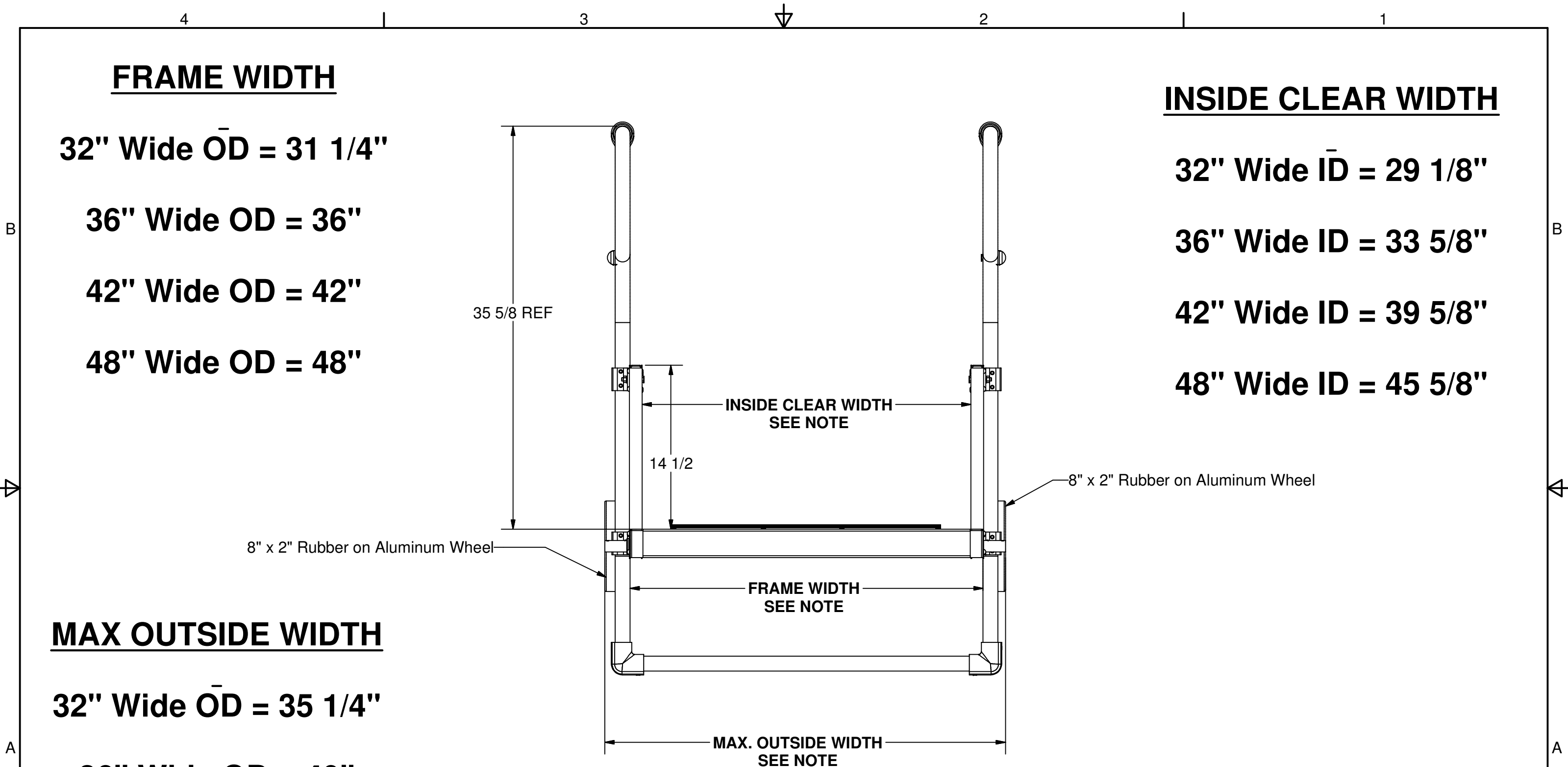
**INSIDE CLEAR WIDTH**

**32" Wide  $\bar{I}D = 29\ 1/8"$**

**36" Wide  $ID = 33\ 5/8"$**

**42" Wide  $ID = 39\ 5/8"$**

**48" Wide  $ID = 45\ 5/8"$**



**MAX OUTSIDE WIDTH**

**32" Wide  $\bar{O}D = 35\ 1/4"$**

**36" Wide  $OD = 40"$**

**42" Wide  $OD = 46"$**

**48" Wide  $OD = 52"$**

<b>METALLIC LADDER MFG. CORP.</b>				
ITEM NAME: RAMP MAX WIDTH			CUSTOMER: Metallic Ladder Mfg. Corp.	
SIZE <b>B</b>	REV	DWG BY Tom	APPROVED	ITEM NUMBER <b>ARMP-MW</b>
MATERIAL:				DATE 4/27/2010
			SHEET 1	OF 1