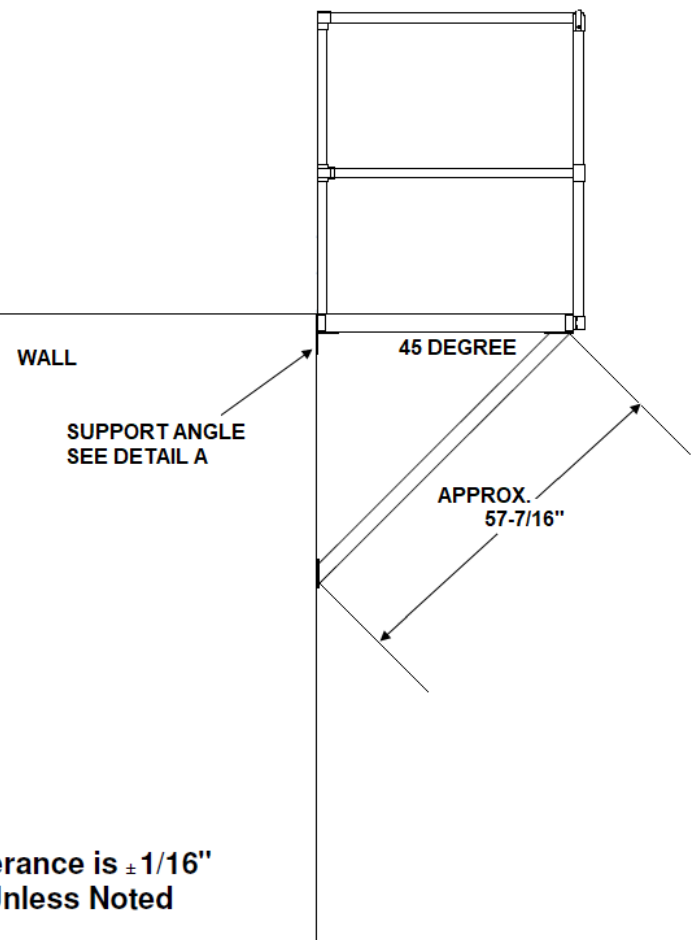
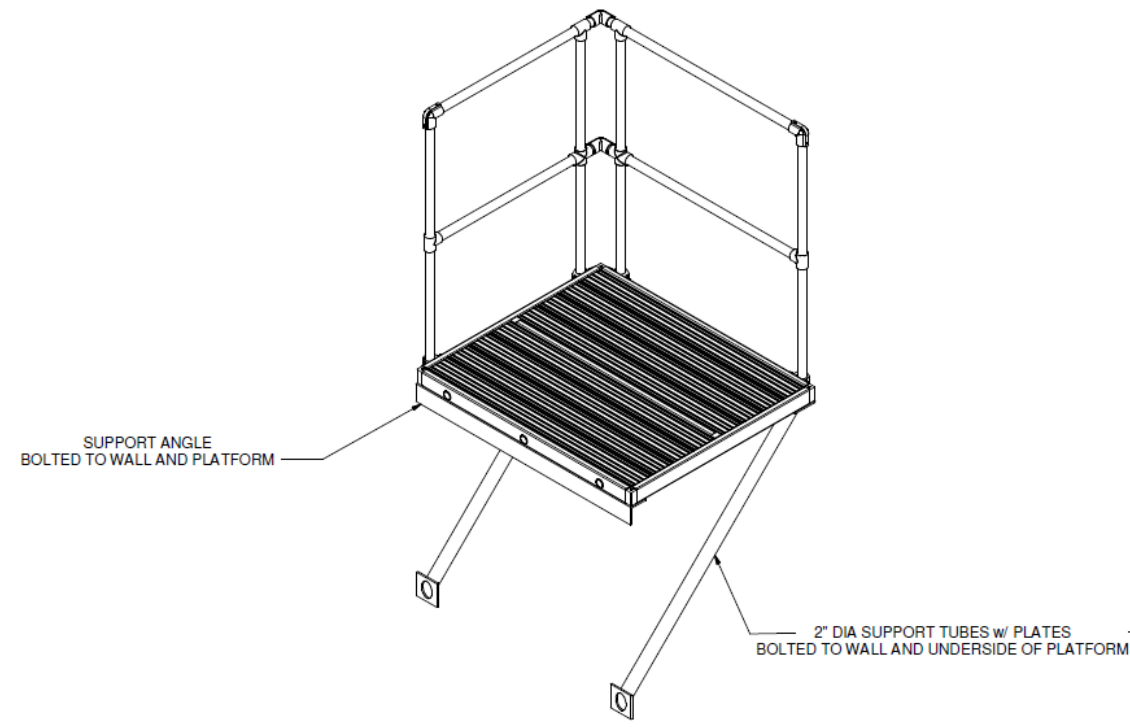



**SIDE VIEW**



**DETAIL A**



|                              |   |
|------------------------------|---|
| CREATED BY: CHRISTIAN MONROE |  |
| PRODUCT: STAIR PLATFORM      |   |
| PART #: AS-WPA-L/R           |   |
| DATE: 6/26/19                |   |