

✓ The following boxes

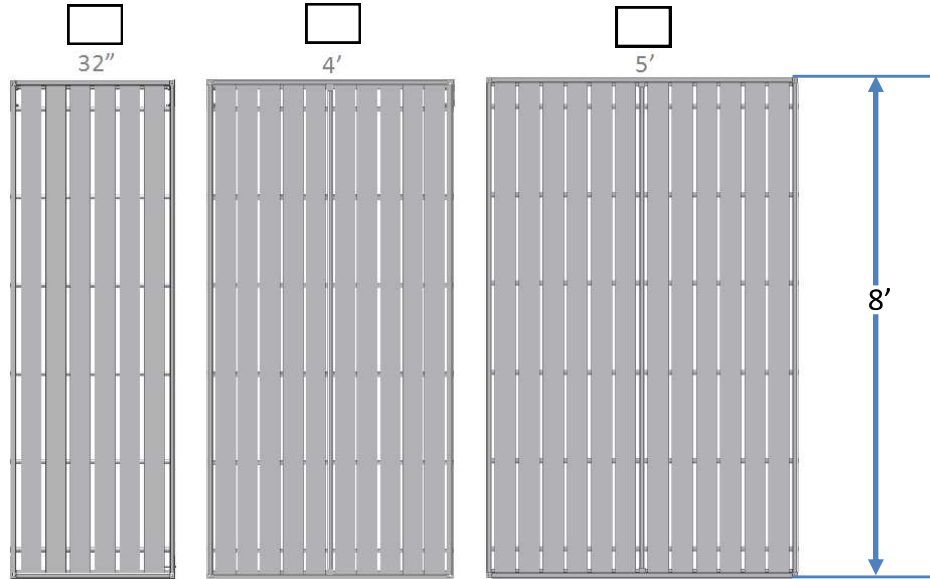
# Dock Guide



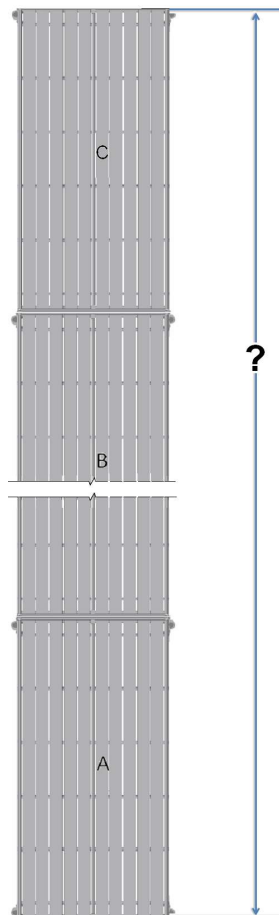
**Alumidock**®

## Step 1: Choose Your Dock Size

We offer 32", 4', and 5' wide section. Consider the amount of traffic you will have on your new dock



## Step 2: Determine Total Feet of Dock Going Out



### Total Feet of Dock

8' Sections

16'

24'

32'

40'

48'

56'

64'

72'

80'

88'

Other

# Step 3: Choose Your Dock Configuration

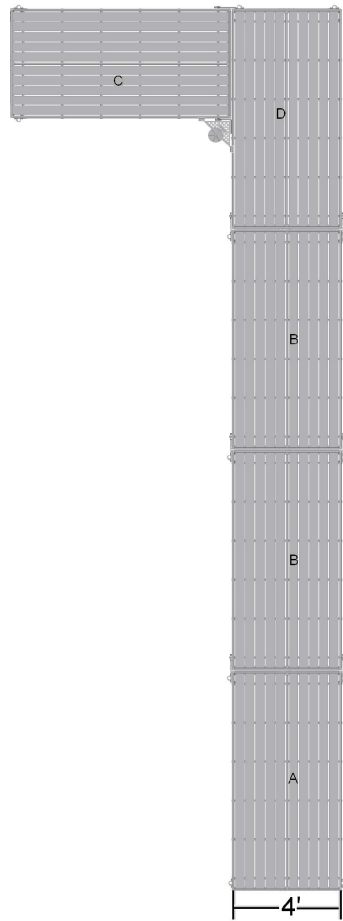
Straight Dock



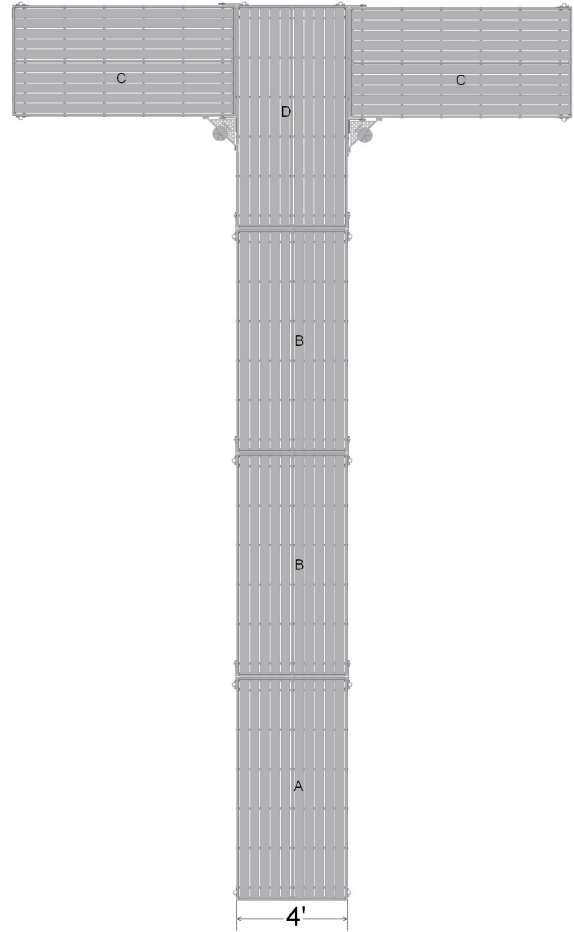
"L" Dock

Left

Right



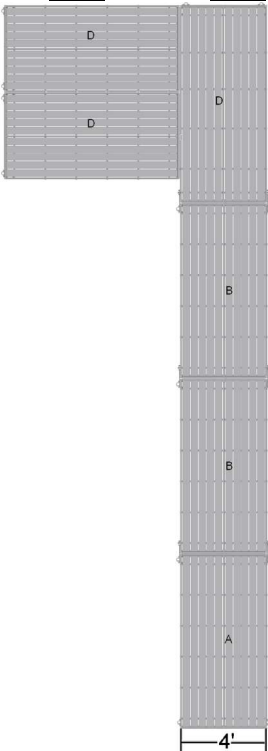
"T" Dock



"L" Platform Dock

Left

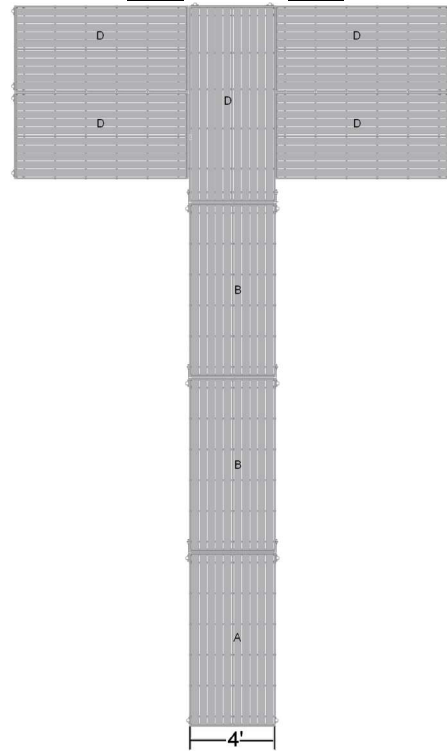
Right



"T" Dock Platform Dock

Left

Right

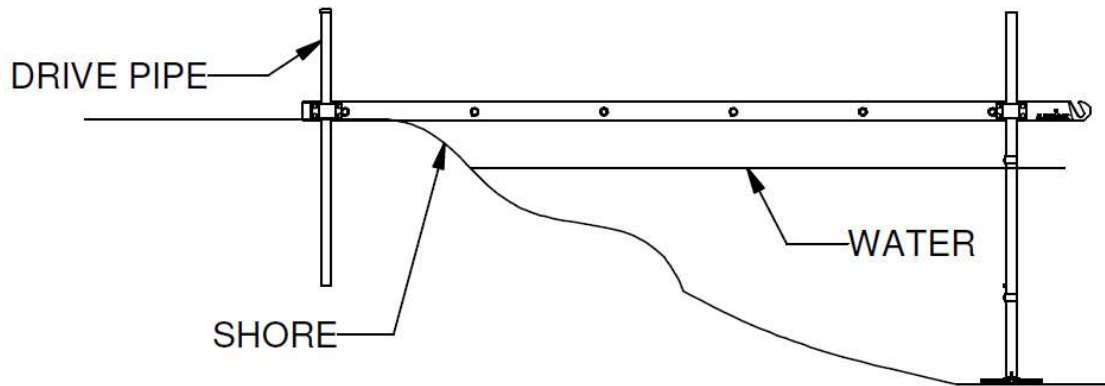


## Step 4: Dock Attachment Shore Line

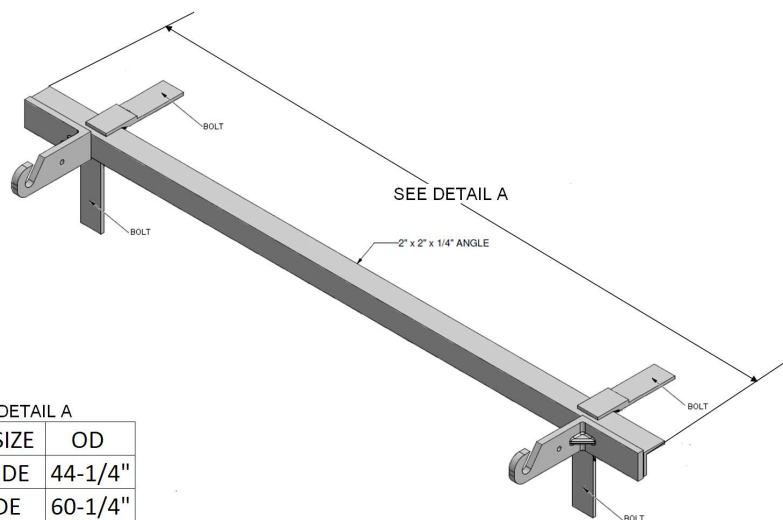
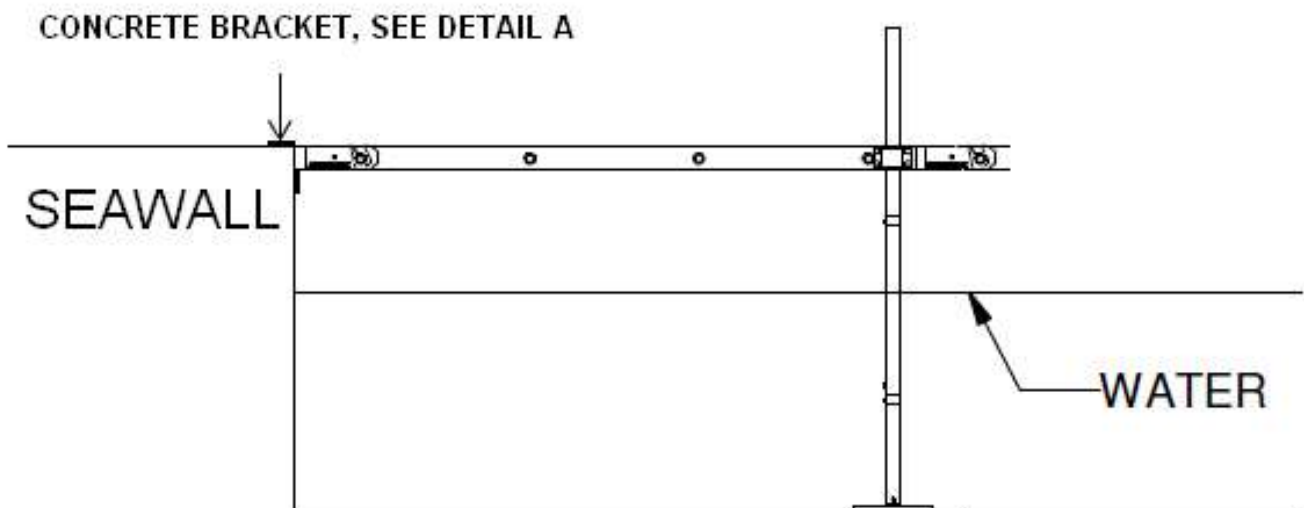
The first dock section must be anchored.

### Shore Line Attachment

If you have a gravel shore then you will need a starter section with drive pipe



### Seawall Attachment

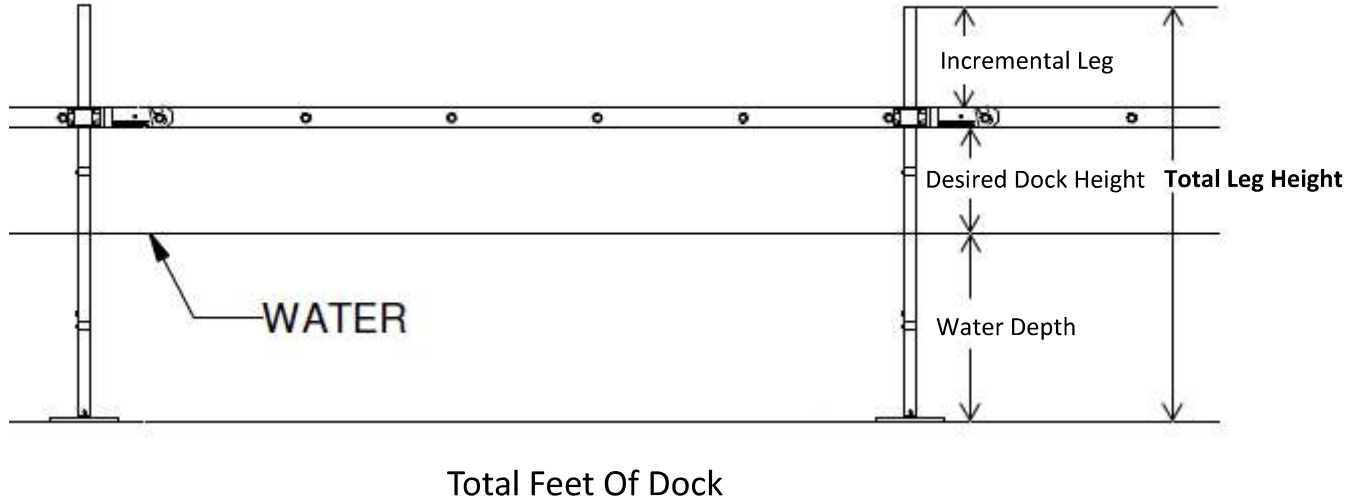


DETAIL A

DOCK SIZE	OD
32" WIDE	44-1/4"
4' WIDE	60-1/4"
5' WIDE	72-1/4"

## Step 5: Choose Your Leg Sizes

Choose your legs sizes for every dock section based your water depth– Leg sizes range 3' - 10'



Feet Of Dock	Total Leg Height
16'	
24'	
32'	
40'	
48'	
56'	
64'	
72'	
80'	
88'	
96'	