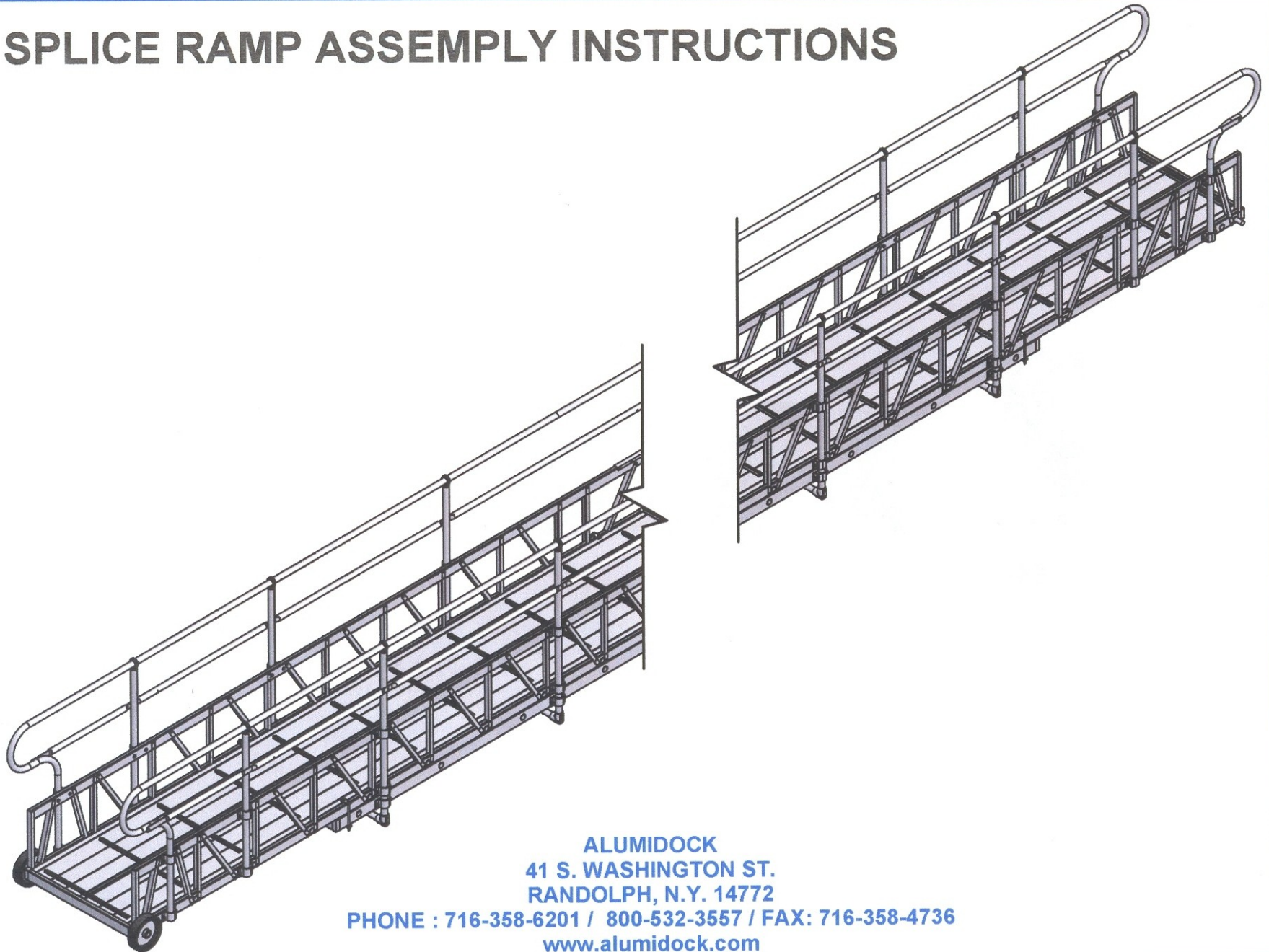


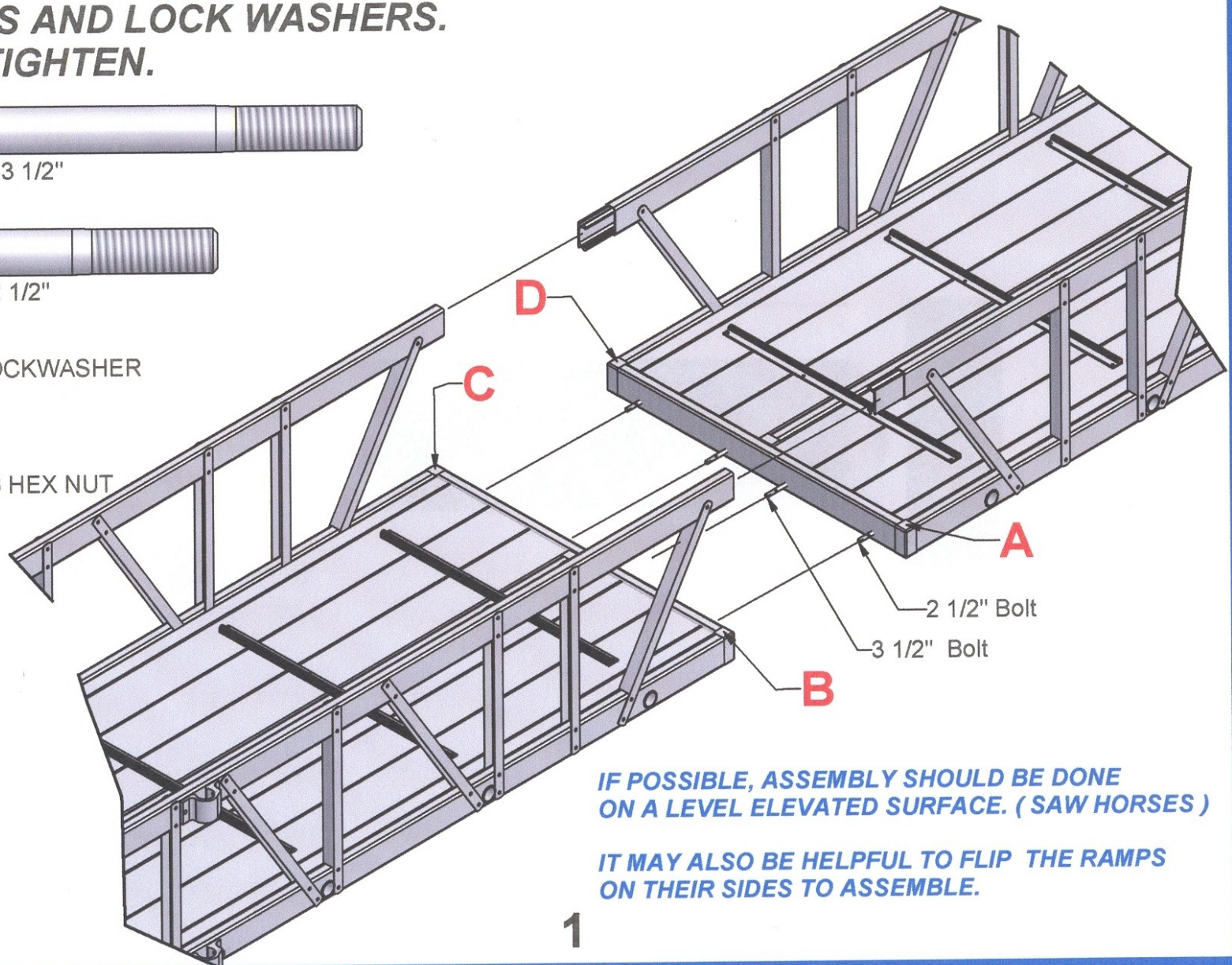
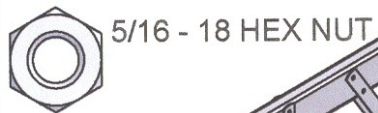
SPLICE RAMP ASSEMBLY INSTRUCTIONS



ALUMIDOCK
41 S. WASHINGTON ST.
RANDOLPH, N.Y. 14772

PHONE : 716-358-6201 / 800-532-3557 / FAX: 716-358-4736
www.alumidock.com

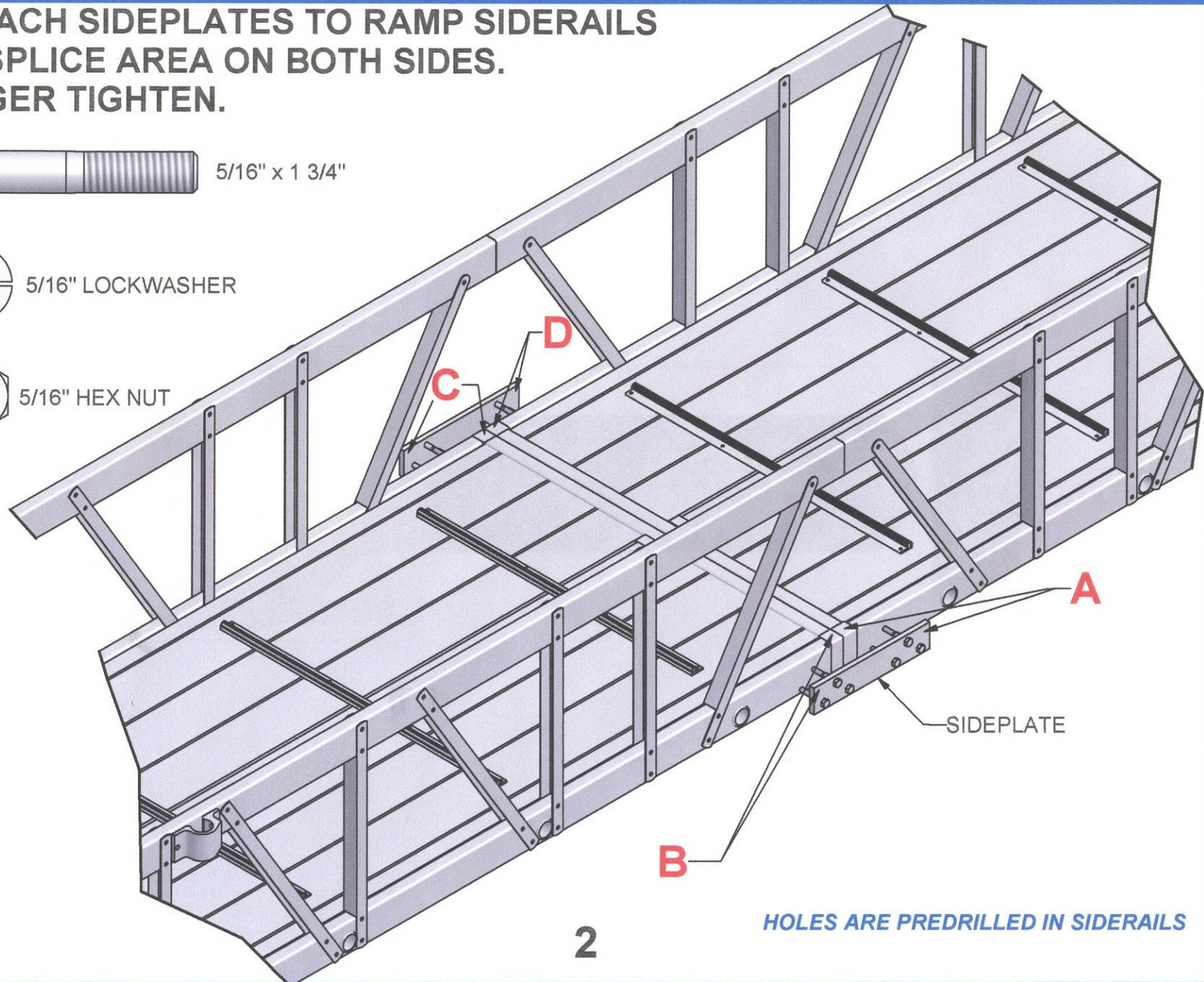
ATTACH THE FRAMES BY INSTALLING BOLTS THROUGH END RAILS AS SHOWN. ADD NUTS AND LOCK WASHERS. FINGER TIGHTEN.



IF POSSIBLE, ASSEMBLY SHOULD BE DONE ON A LEVEL ELEVATED SURFACE. (SAW HORSES)

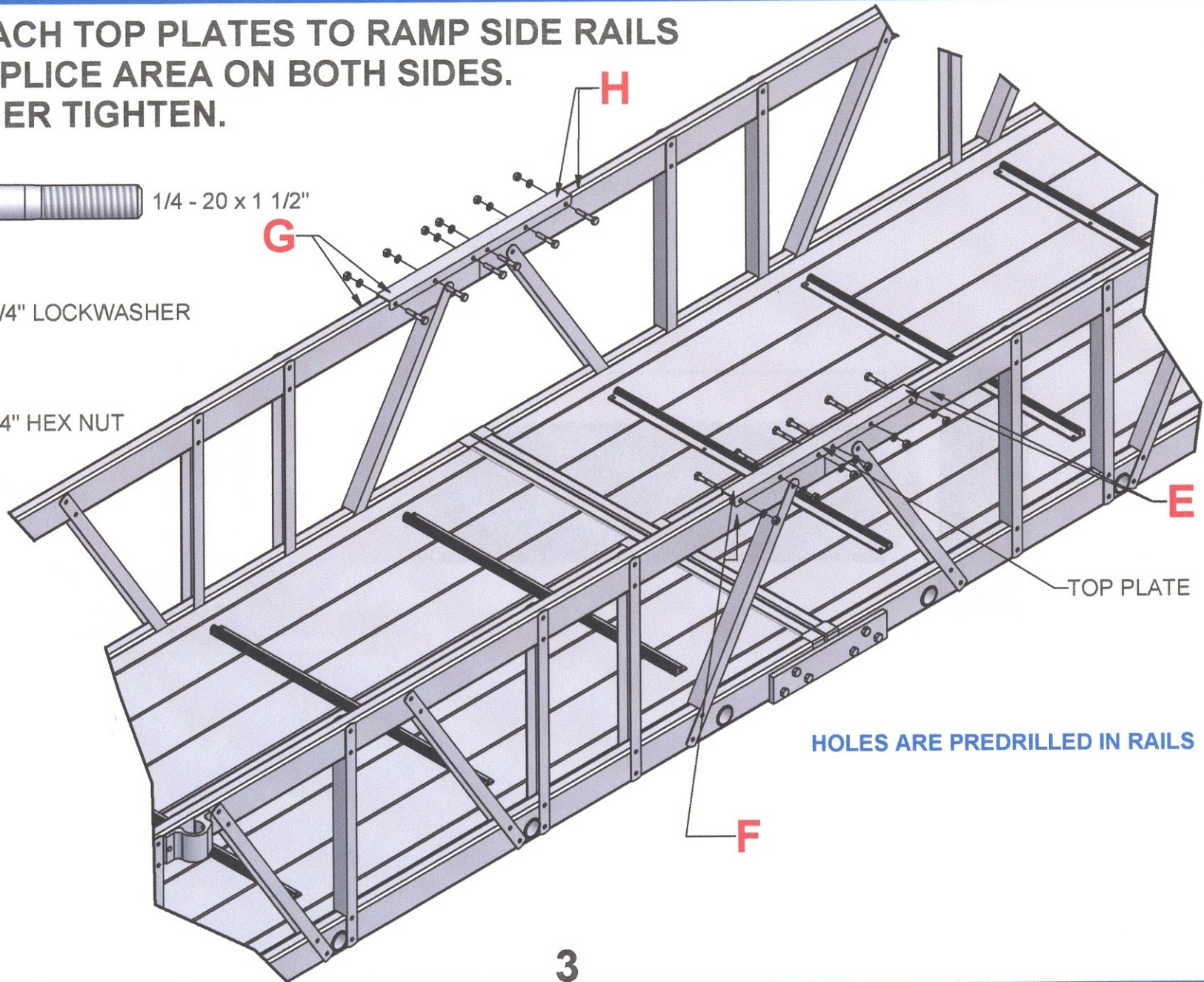
IT MAY ALSO BE HELPFUL TO FLIP THE RAMPS ON THEIR SIDES TO ASSEMBLE.

**ATTACH SIDEPLATES TO RAMP SIDERAILS
AT SPLICE AREA ON BOTH SIDES.
FINGER TIGHTEN.**

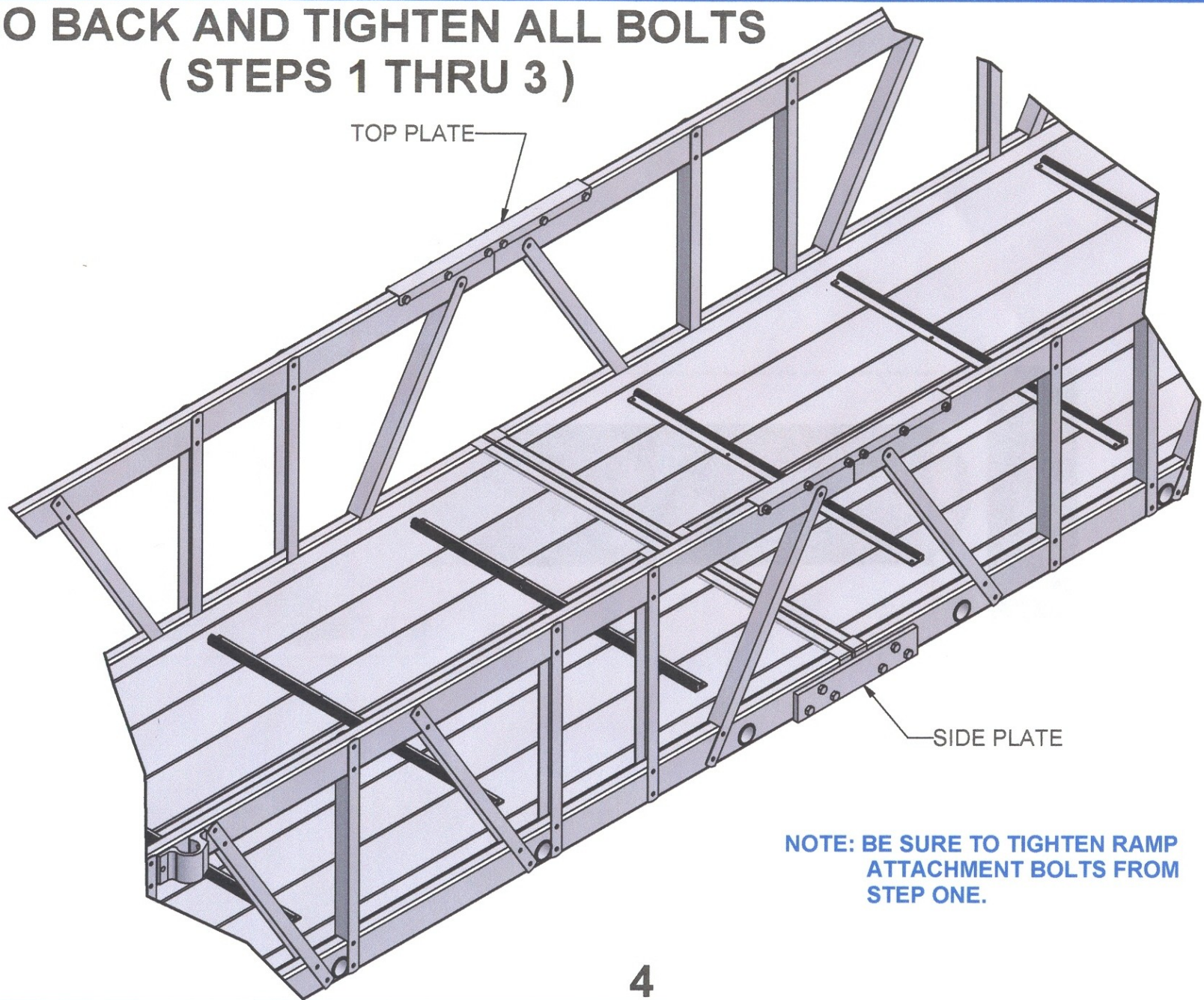


HOLES ARE PREDRILLED IN SIDERAILS

**ATTACH TOP PLATES TO RAMP SIDE RAILS
AT SPLICE AREA ON BOTH SIDES.
FINGER TIGHTEN.**

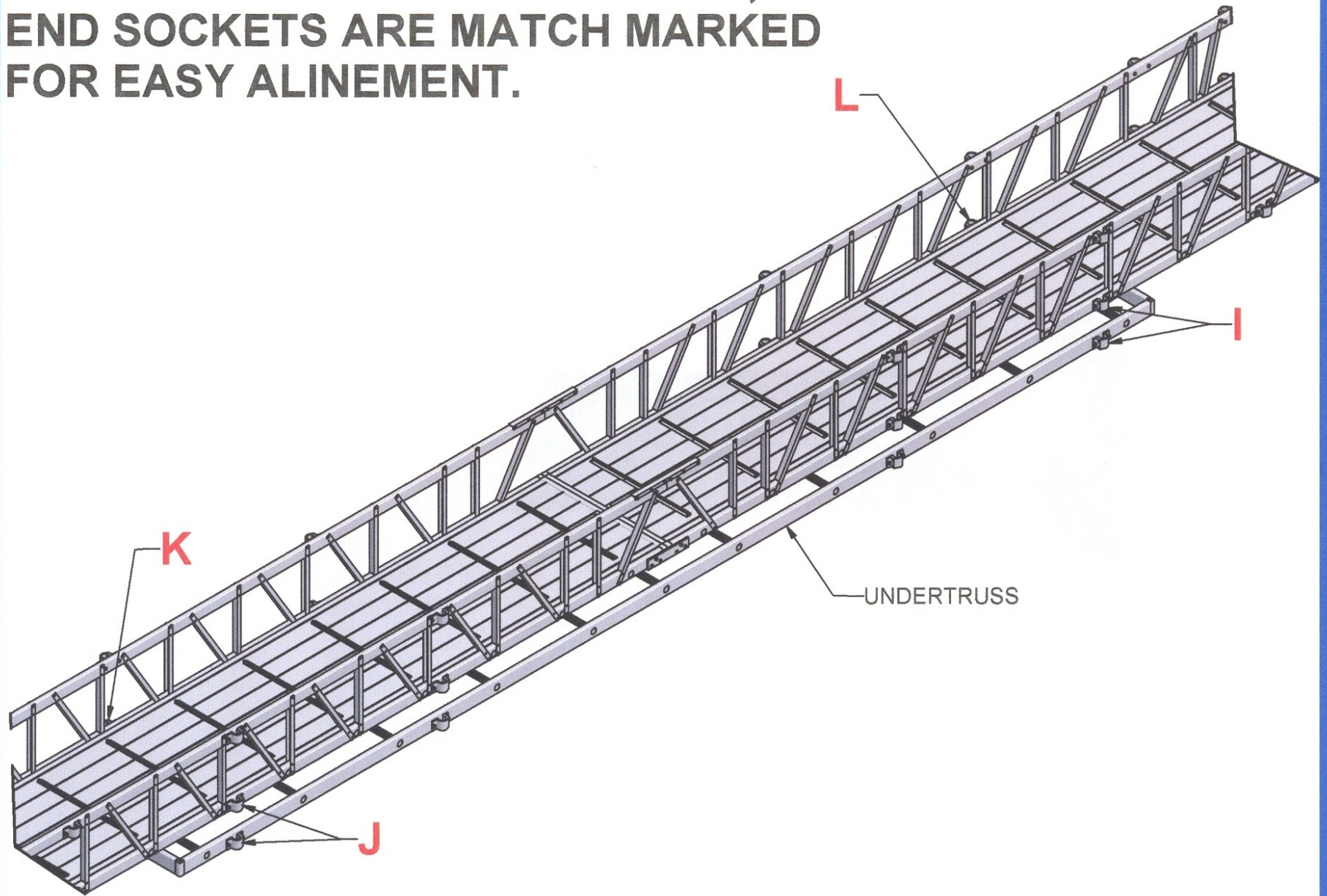


GO BACK AND TIGHTEN ALL BOLTS (STEPS 1 THRU 3)

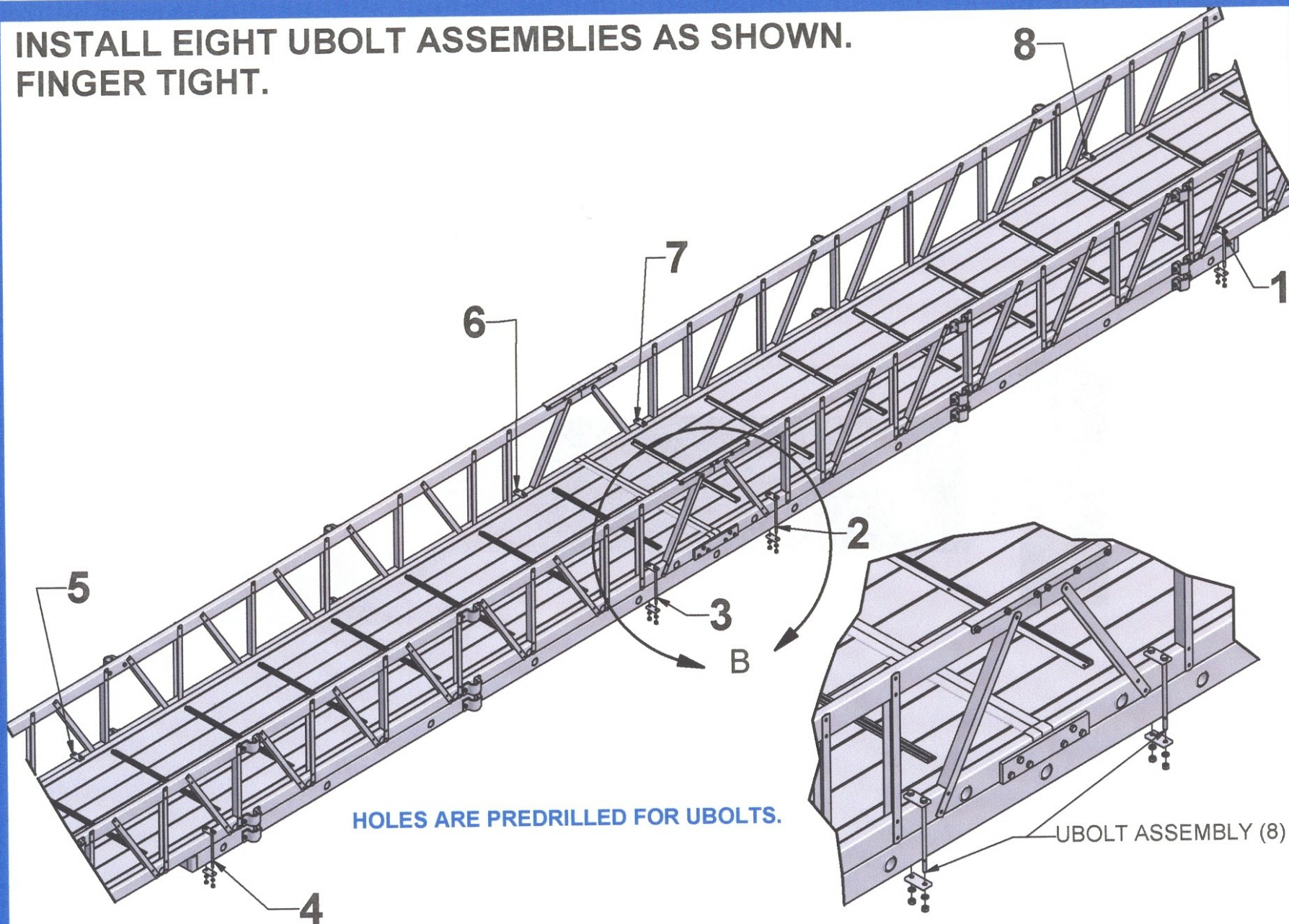


**NOTE: BE SURE TO TIGHTEN RAMP
ATTACHMENT BOLTS FROM
STEP ONE.**

**SLIDE UNDERTRUSS INTO PLACE,
END SOCKETS ARE MATCH MARKED
FOR EASY ALINEMENT.**



**INSTALL EIGHT UBOLT ASSEMBLIES AS SHOWN.
FINGER TIGHT.**

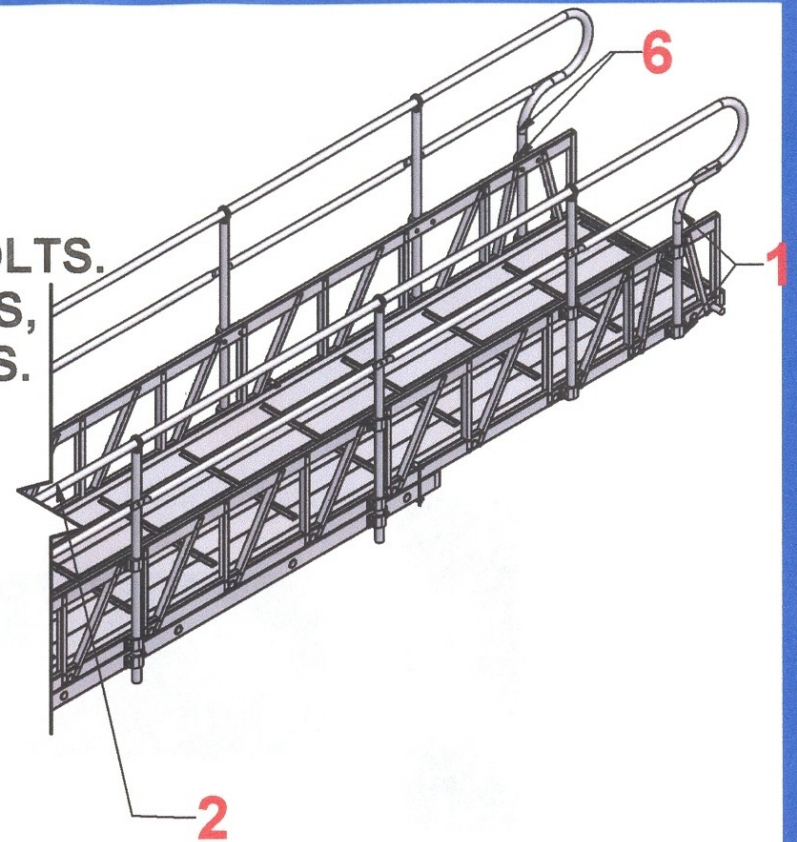
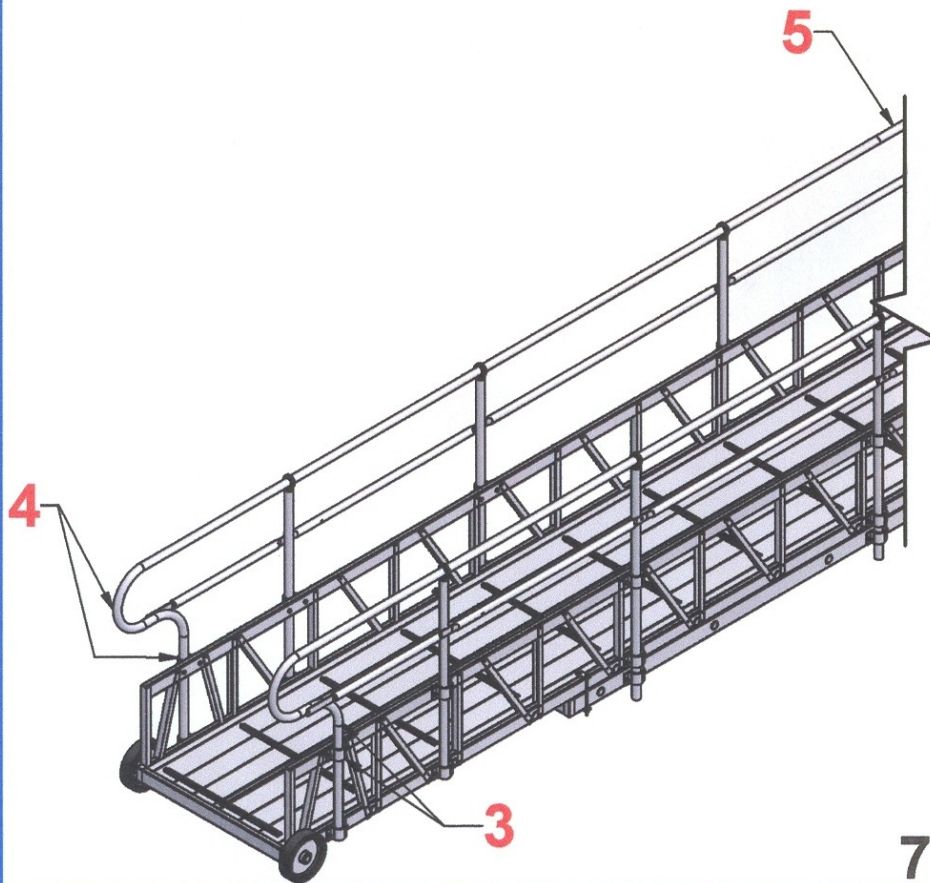


HOLES ARE PREDRILLED FOR UBOLTS.

UBOLT ASSEMBLY (8)

6

**INSTALL HANDRAILS AS SHOWN.
THEY HAVE BEEN MATCH MARKED.
ONCE IN POSITION, TIGHTEN ONE
SETSCREW ON UPPER RAIL TO HOLD
HANDRAIL WHILE YOU TIGHTEN THE UBOLTS.
ONCE YOU HAVE TIGHTENED ALL UBOLTS,
GO BACK AND TIGHTEN ALL SET SCREWS.**



**ATTACH UNDERTRUSS PIPES.
TIGHTEN SETSCREWS IN ELBOWS TO SECURE.**

